



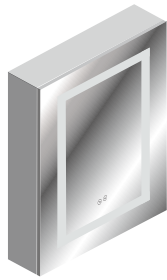
BLOSSOM[®]

luxury made simple



20"

MCL4 2032 (L/R)



24"

MCL4 2432 (L/R)



30"

MCL4 3032

Combined with two 24"
(MCL4 2432L + MCL4 2432R)

48"

Combined with two 30"
(MCL4 3032 x 2)

60"


[MEDICINE
CABINET]


Specification & Installation Guide

www.blossomus.com

IMPORTANT SAFETY INSTRUCTIONS

When using an electrical furnishing, basic precautions should always be followed, including the following:

 **WARNING:** To reduce the risk of burns, fire, electric shock or injury to persons. Use this furnishing only for its intended use as described in these instructions. Do not use attachments not recommended by the manufacturer. Never drop or insert any object into any opening. Do not use outdoors.

 **WARNING:** Risk of electric shock. Connect this furnishing to a properly grounded circuit only. See grounding instructions.


ELECTRIC CONNECTIONS


ALL WIRING SHOULD BE DONE BY A QUALIFIED LICENCED ELECTRICIAN.

 **WARNING:** Shut off power before wiring the cabinet.

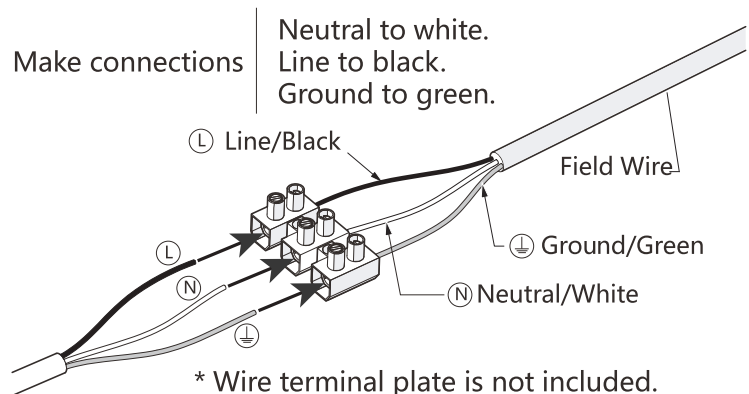
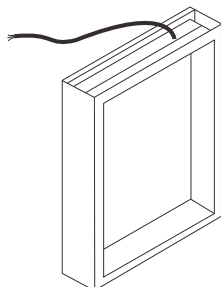
 **CAUTION:** Requires 120 VAC 20 Amp GFI protected Circuit.

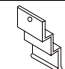
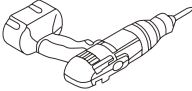
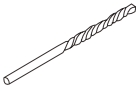
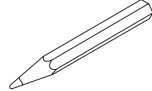
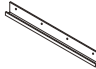

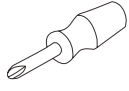





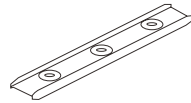
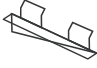
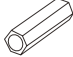
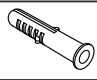
GROUNDING INSTRUCTIONS:

 **CAUTION:** This product must be connected to a grounded metal permanent wiring system or an equipment-grounding conductor must be run with the circuit conductors and connected to the equipment grounding terminal or lead on the product.

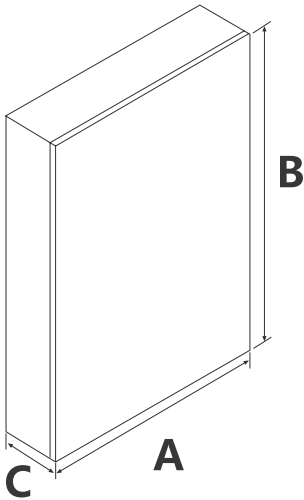
 **WARNING:** An Electrical option cabinet must be wired to a 20 Amp GFI (Ground Fault Interrupter) protected circuit when used in bathrooms and all other locations required by the National Electric Code.

The electric wire comes through the access hole on the top of the cabinet.



Hardware				Tools (not includes)		
NO.		Draw	QTY(pcs)			
A	Top mounting bracket		2-3			
B	Bottom mounting bracket		1	Electric Drill	1/8" Drill Bit	Pencil or Marker
C	Hardware screw		4-10			
D	Glass side panel		2	Screw Driver	Silicone	Tape Measure
E	Glass Shelf		3			
F	Shelf support bracket		6	Toothless flat nose plier	Lever	
G	Connector		2			
H	Wall Plug		4-10			

DIMENSIONS



A-Cabinet's Width
B-Cabinet's Height
C-Cabinet's Depth

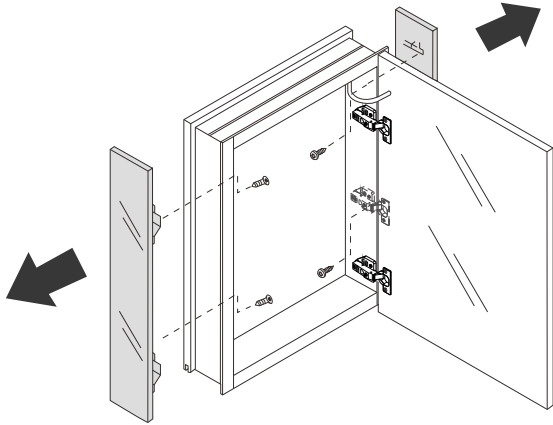
NOTE: Determine overall medicine cabinet dimensions. If for recess mounting medicine cabinet, determine rough-in (Wall Cut-out) dimensions.

NOTE: All rough-in dimensions for reference only!

Model No		Item	A	B	C	Rough in size
Vega	MCL4 2032L	MCL4 2032R	20"	32"	5"	19-1/2" x 31-1/4" x 4"
	MCL4 2432L	MCL4 2432R	24"	32"	5"	23-1/2" x 31-1/4" x 4"
	MCL4 3032	/	30"	32"	5"	29-1/2" x 31-1/4" x 4"

PRIOR TO MOUNTING

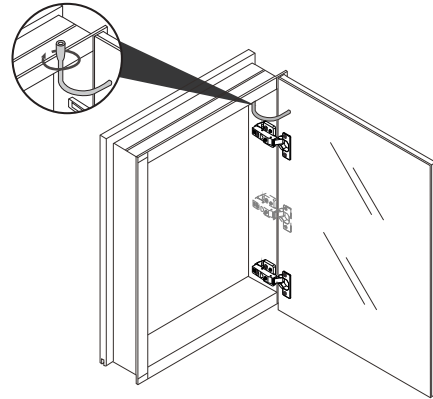
1



For recess mount only!

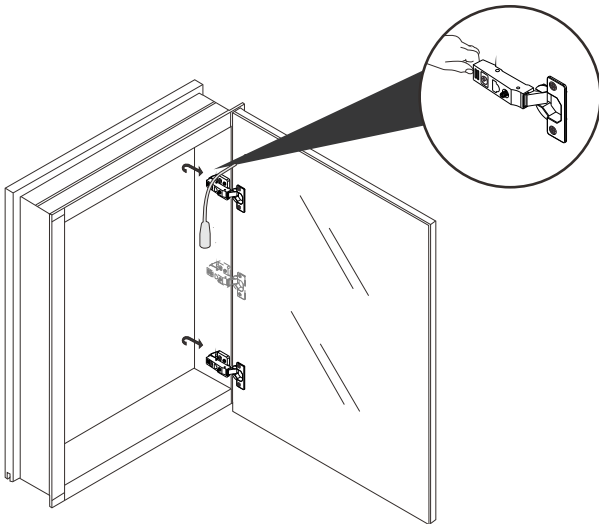
Carefully remove side mirror panels for recess mount installation.

2



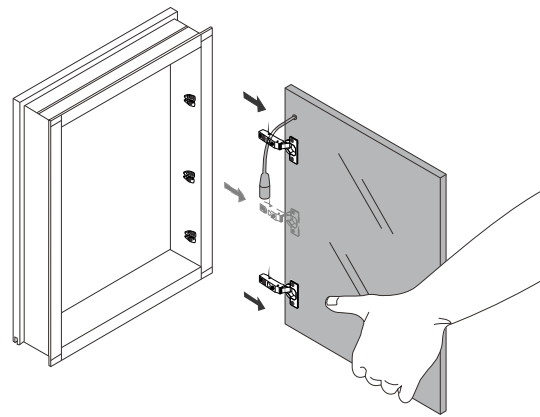
Remove door(s) prior to mounting your cabinet. Start with unplugging the door from the cabinet.

3



While supporting the door release (the lever under the hinge arm), slide the door off the frame.

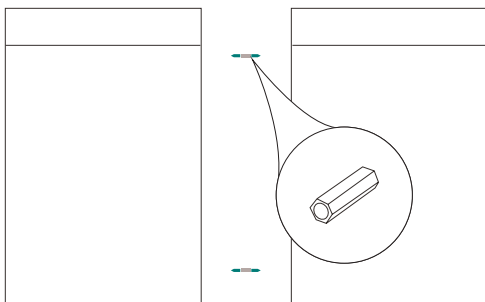
4



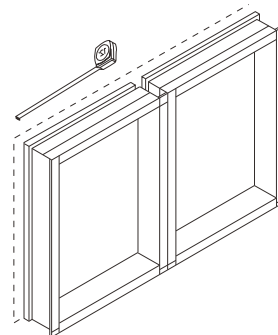
Take off the door(s) carefully and lay it down on a safe area.

CONNECTING CABINETS (OPTIONAL RECESS MOUNTING)

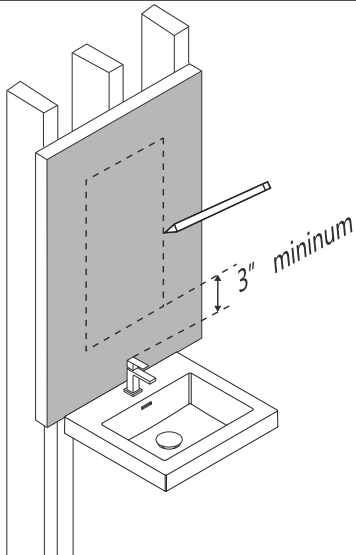
Connect cabinets with connectors provided.



Measure single or combined connected cabinet rough in size.

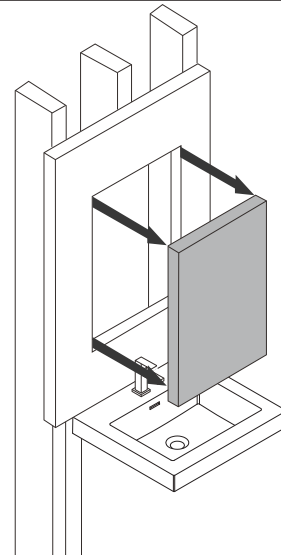


1



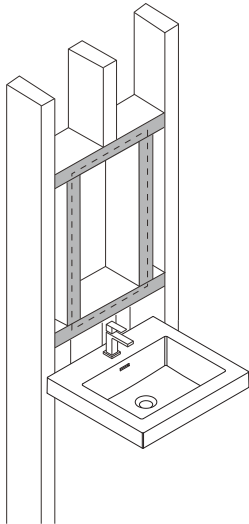
Draw the perimeter of the cabinet on the wall.

2



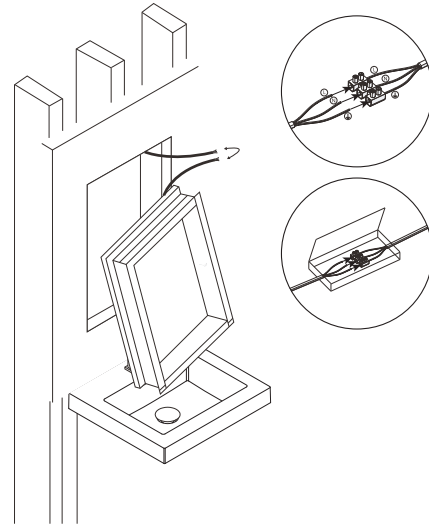
Cut the marked perimeter with suitable tool.

3



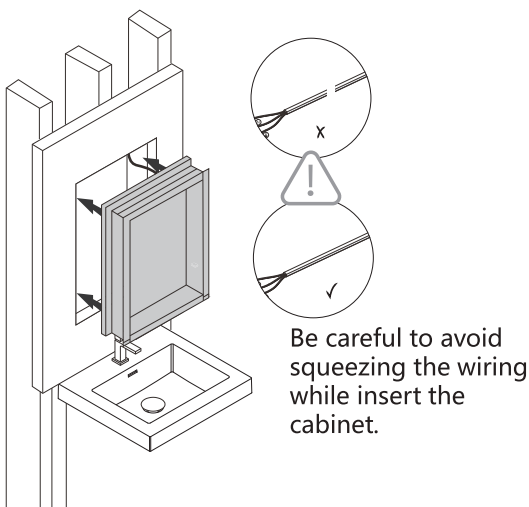
Frame the opening for the cabinet based on the measurements.

4



Connect electrical wires before inserting the cabinet into the opening.

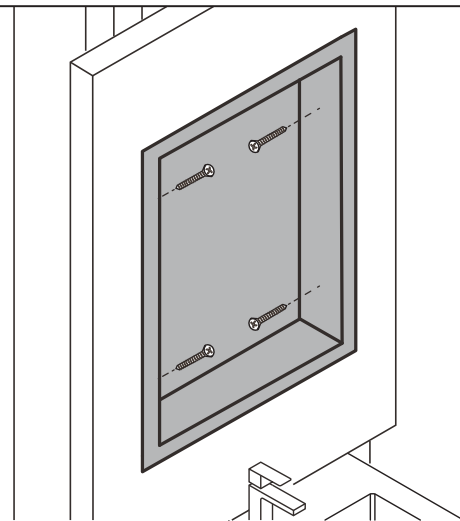
5



Be careful to avoid squeezing the wiring while insert the cabinet.

Position cabinet in cut out opening.

6



Affix using hardware screws into the studs.

SURFACE MOUNT INSTALLATION

1

3" minimum

Level and mark the cabinet's location on the wall.

2

Bottom mounting brackets must be attached to furring strip/channel or wall studs

31- 3/8"

7/8"

Attach bottom bracket to wall.

3

Connect the electrical wires.

4

With assistance, to rest the cabinet on the mounting bracket and hold in place.

5

Insert top mounting bracket into the top of the cabinet.

6

Make sure top brackets are locked in the grooves.

7

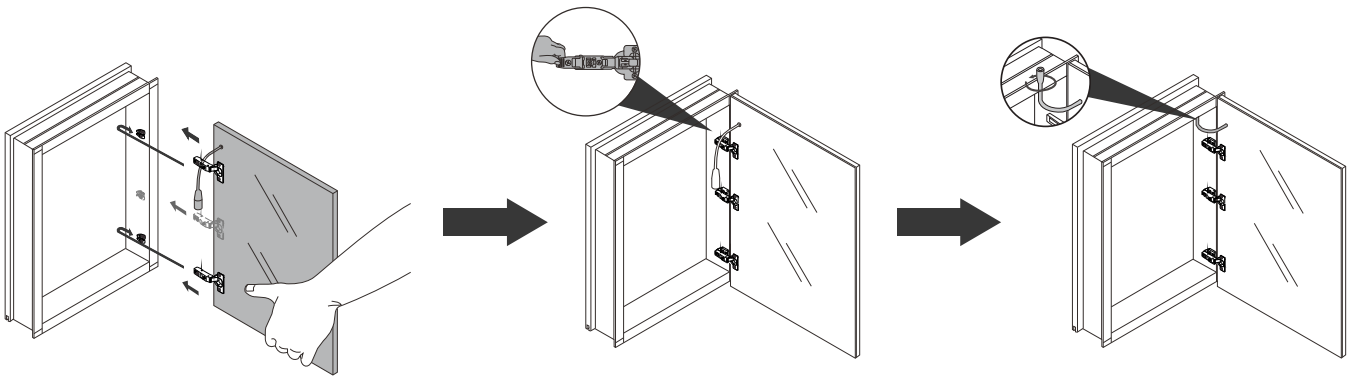
Top mounting brackets must be attached to furring strip/channel or wall studs.

Attach the top mounting bracket to the wall using a screw gun.

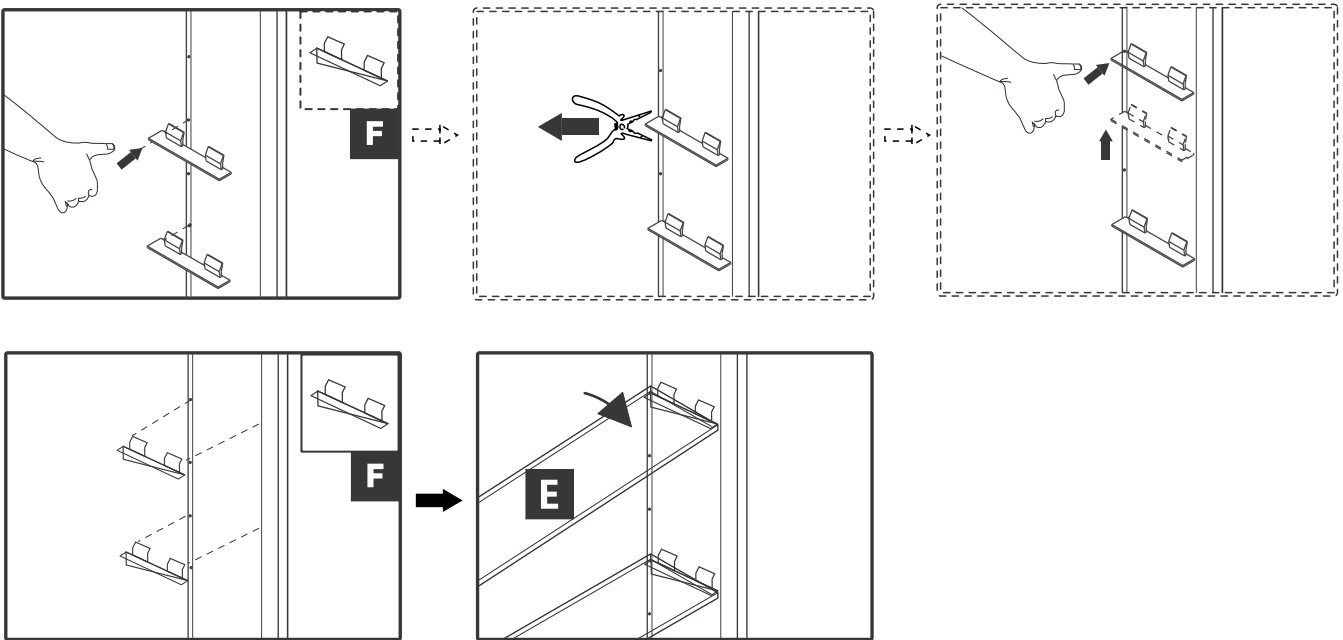
8

Make sure cabinet is leveled and fully inserted into the groove of the bottom bracket.

Test the fit of the cabinet before Final assembly.



1. Slide the doors into place by pinching the end of the hinges.
2. Plug the door into the cabinet.

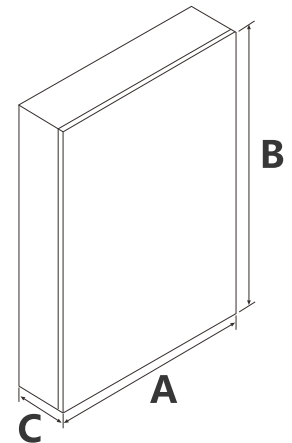
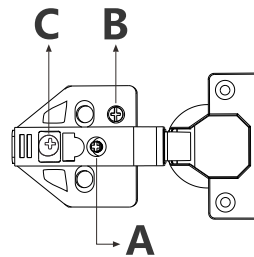


1. Insert clear snap in shelf clips (F) into holes on the sides of the cabinet cabinet.

OPTIONAL DOOR ADJUSTMENT


Doors may need to be adjusted after the initial shipping of the cabinet. The cabinet doors have a three-way adjustment feature. Height, side-to side, level and depth can be adjusted. With the hinge slightly closed you can access the middle screw for up/down adjustment.

With the hinge fully extended you can access the front and back screws. These screws will move the door side to side and in and out.



How to use touch sensor switches:  

Antifogging function: touch key  to turn on/off defogging function

Lighting function: Touch key  to turn on or off the lighting function

Use and Maintenance:

The interior is constructed of mirrored glass and aluminum. Use only a damp cloth to clean. Ammonia or vinegar-based cleansers can damage mirrors.

When cleaning, spray the cloth, not the mirror, or surrounding surfaces. Do not use abrasive cleansers on any parts of the light fixture.